

VAX BIB C

X-HEAD Tap Range Cross Head Bib Taps Chrome



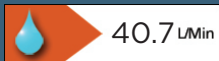
Features:

- Metal handles
- Chrome plated to BS EN 248

Product Certifications:



WRAS Expiry Date : 30/04/2024
WRAS Certificate Number : 1906901



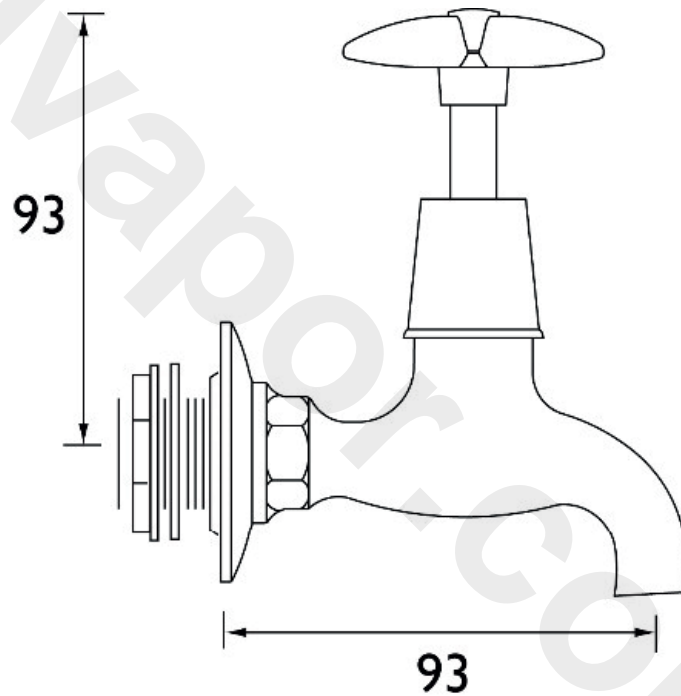
For more products, visit our website:
<http://www.bristan.com>



Specification

Product Type:	Taps
Main Construction Material:	Brass
Mount Type:	Deck Mounted
Handle Type:	Cross Head
Connection Inlet:	½" BSP
Connection Outlet:	Open
Number of Tap Holes:	2
Valve/Cartridge Type:	Manual
Plumbing System Requirements:	All - Preferably Balanced
Working Pressure Range:	Min 0.2 bar - Max 5.0 bar
Maximum Hot Water Temperature: °C	65
Maximum Static Pressure: (bar)	10
Flow Type:	Single Flow
Isolation Included:	No

Dimensions (measurements in mm)



Flow Rates (l/min)

System Pressure (bar)	0.2	0.5	1	2	3	5
VAX BIB C	11.3	16.6	22.3	33.3	40.7	52.6

TECHNICAL DATA SHEET



BRISTAN

TAPS & SHOWERS